

21.5" OPS Signage PPC (W22L100-OPA3/OMAO)

-AMD Ontario T56N OPS

Features

- Combined with 21.5" display and pluggable PC module
- Embedded AMD Ontario T56N 1.65GHz Dual Core Processor
- Compliant with OPS (Open Pluggable Specification) standard
- 1920x 1080 resolution
- Optional Resistive touch
- Optional Software MSO-PRO



*Note

Winmate 21.5" All-in-One OPS Signage PPC combines 21.5" display and pluggable PC module that is compliant with OPS. Different from traditional digital signage, OPS PPC have less external cables that facilitate installation. Less space requirement also enhances flexibility for users. Users can further easily update data by taking module out of display.

Specifications

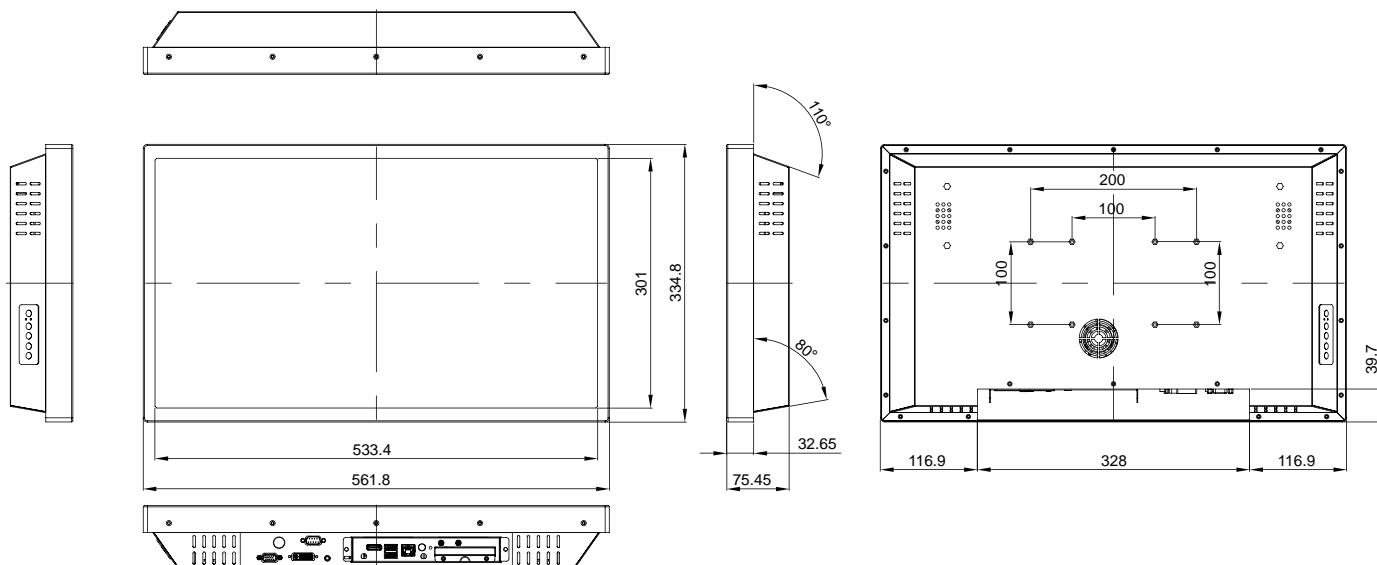
Model Name:W22L100-OPA3/OMAO

Display	Resolution	1920x 1080
	Contrast Ratio	1000:1
	Viewing Angles	-89~89 (H); -89~89 (V)
	Maximum Colors	16.7M (8 bits/ colors)
	Brightness	250 nit
Touch(Optional)	Technology	Resistive Touch
System Specification	CPU	AMD Ontario T56N 1.65GHz Dual Core Processor
	BIOS	AMI UEFI BIOS
	System Chipset	AMD Hudson A55E Chipset
	System Memory	SO-DIMM DDR3-1333MT/s , up to 4GB
	Operating System (Optional)	Windows XP Embedded / WES7
	Storage	2.5" SATA HDD 160GB
	Graphic Chipset	Integrated Graphics
	Ethernet	Broadcom BCM 57780 Gigabit Ethernet
Audio	Realtek ALC 886 codec	
I/O Interface	Display Side	1x VGA
		1x DVI
		1x Audio in
		1x RS232
		1x 12V DC-in
	OPS Module Side	1x HDMI
		1x RJ-45
		2x USB (USB 2.0 compliant)
		2x Audio phone jack (Line-in/ Line-out)
		1x Power button
Power Requirement	Power Input	12V DC input
Environment	Operating Temperature	0°C~40°C
	Operating Humidity	20%~ 80% (non-condensing, RH)
	Mounting	VESA mounting
Certification	Electromagnetic	CE, FCC
Wireless Communication (Optional)	Wi-Fi	via half mini PCIe Card
	3G	On board sim slot
Software (Optional)	MSO-Pro	Flashm HTML, PowerPoint viewer supported

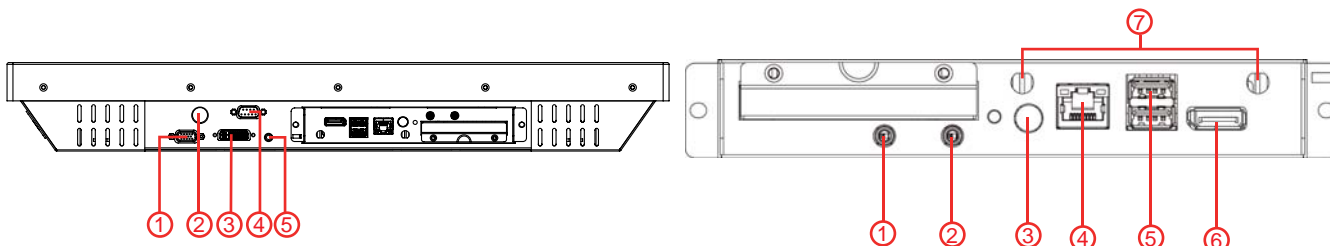
21.5" OPS Signage PPC (W22L100-OPA3/OMAO)

-AMD Ontario T56N OPS

Dimension



I/O Placement



- 1.VGA
- 2.12V DC-in
- 3.DVI

- 4.RS232
- 5.Audio in

- 1.Line Out
- 2.Line In
- 3.Power
- 4.RJ45

- 5.2 x USB
- 6.HDMI
- 7.Antenna (Optional)

Order Information

W22L100-OPA3/OMAO

Standard	CPU	AMD Ontario T56N 1.65GHz Dual Core Processor
	RAM	2GB
	Storage	HDD 160GB
	Touch	Resistive Touch
Optional	Wireless Communiation (Either One)	WiFi:802.11b/g/n 3G
	Operating System	XPE WES7
	Storage	SSD
	Digital Signage Software	MSO-Pro

Rev.	Reasons	Revised Date
1.0	First release	Oct.27.11